



Walter Cut DX – Grooving

Edition 2020

WALTER CUT DX

# Innovative parting-off system with SmartLock

FS2586  
T15IP / 2.0 Nm

FS2586  
T15IP / 2.0 Nm

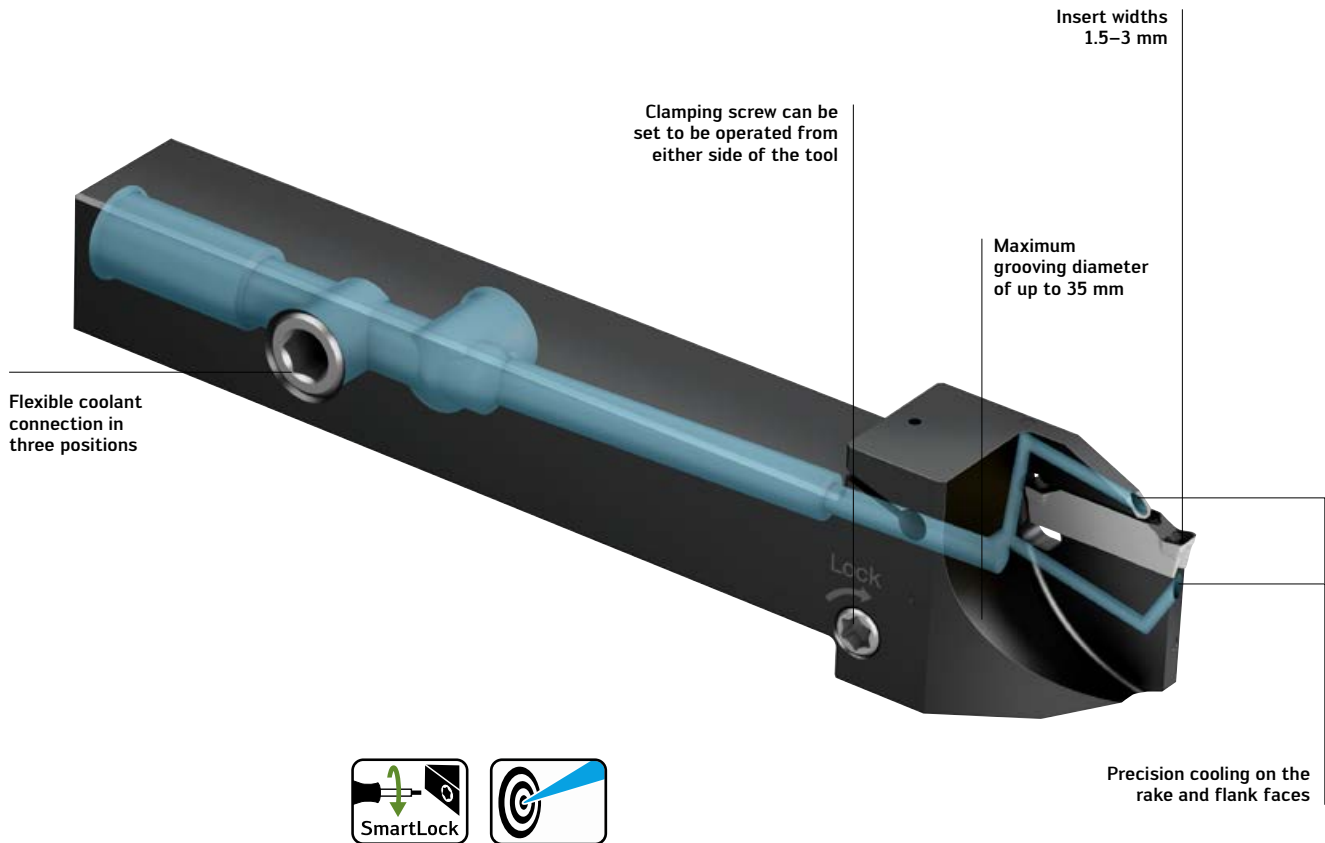
# Innovative parting-off system with SmartLock.

## THE TOOL

- G4014-P/DX18 grooving and parting-off tool with precision cooling
- Screw clamping on the side for easy insert changeover
- New clamping method: 30% higher clamping forces compared to conventional tools on the market
- Innovative new positive engagement at the rear of the insert locating surface
- Shank sizes: 10 × 10, 12 × 12, 16 × 16, 20 × 20 mm

## THE INDEXABLE INSERT

- Double-edged DX18 cutting inserts with second prism
- Insert widths: 1.5/2.0/2.5/3.0 mm
- Chip formation geometries: CE4, CF5, CF6 and GD6
- Grades: WSM23S, WSM33S, WSM43S, WKP23S



Powered by  
**Tiger-tec<sup>®</sup>Silver**

Walter G4014-P/DX18 parting-off system

Fig.: G4014-1616R-3T17DX18-P

## BENEFITS FOR YOU

- Reliable thanks to positive engagement design (no incorrect fitting of the cutting insert, particularly for small insert widths)
- Tool change time reduced by 70% thanks to simple insert changeover in the machine
- Increased cutting parameters and tool life thanks to new insert clamping
- Maximum productivity and tool life thanks to new generation Tiger-tec<sup>®</sup> Silver PVD grade

## APPLICATION EXAMPLE

Axis dia. 10 mm – parting off



**Material:** X8CrNiS18-9 (DIN 1.4305)

**Tool:** G4014.1616R-2T17DX18-P

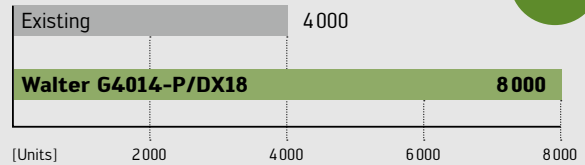
**Indexable insert:** DX18-1E200N02-CF5

**Grade:** WSM33S

### Cutting data:

	Existing G1011.1616R- 2T15GX16-P GX16-1E200N02-CF5 WSM33S	NEW G4014.1616R- 2T17DX18-P DX18-1E200N02-CF5 WSM33S
$v_c$ (m/min)	80	80
$f$ (mm)	0.12	0.12
Insert width (mm)	2	2
Cutting depth (mm)	5	5

Comparison: Tool life quantity [units]

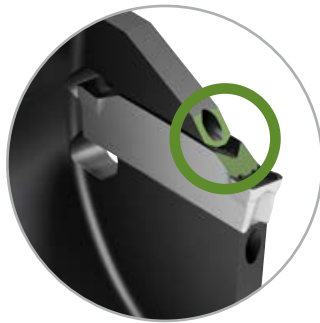


## THE APPLICATION

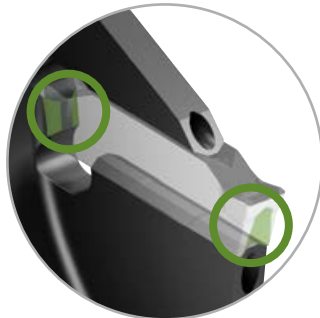
- Automatic lathes and multi-spindle machines having up to 150 bar of coolant pressure
- Parting off with low burr and pip formation (by 6°, 7° and 15° angled parting off inserts)
- Grooving and parting off along the main or counter spindle up to dia. 35 mm for flexible use
- For replaceable components (as tool operation can be modified)

## THE TECHNOLOGY

Raised insert design protects the top clamp and produces short chips



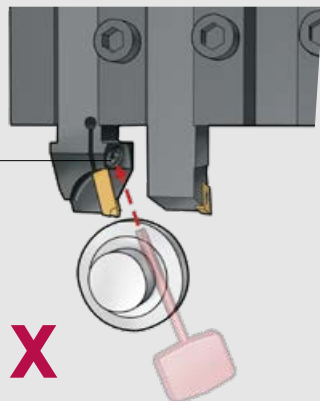
The positive engagement in the insert seat prevents the inserts from being incorrectly fitted



## INDEXABLE INSERT CHANGEOVER

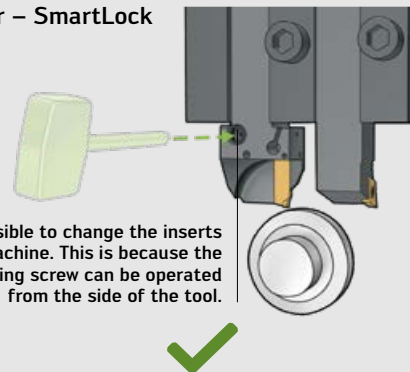
Competitors

No insert changeover possible in the machine. The toolholder has to be removed at this point for you to have access to the clamping screw.



Walter – SmartLock

It is possible to change the inserts in the machine. This is because the clamping screw can be operated from the side of the tool.



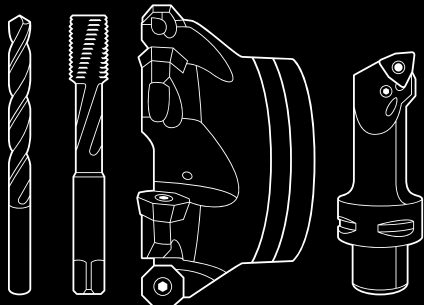
# Walter AG

---

Derendinger Straße 53, 72072 Tübingen  
Postfach 2049, 72010 Tübingen  
Germany

walter-tools.com

---



---

## Walter GB Ltd.

Bromsgrove, England  
+44 (1527) 839 450, [service.uk@walter-tools.com](mailto:service.uk@walter-tools.com)

## Walter Kesici Takımlar Sanayi ve Ticaret Ltd. Şti.

Istanbul, Türkiye  
+90 (0) 216 528 1900 Pbx, [service.tr@walter-tools.com](mailto:service.tr@walter-tools.com)

## Walter Wuxi Co. Ltd.

Wuxi, Jiangsu, P.R. China  
+86 (510) 853 72199, [service.cn@walter-tools.com](mailto:service.cn@walter-tools.com)

## Walter AG Singapore Pte. Ltd.

+65 6773 6180, [service.sg@walter-tools.com](mailto:service.sg@walter-tools.com)

## Walter Korea Ltd.

Anyang-si Gyeonggi-do, Korea  
+82 (31) 337 6100, [service.kr@walter-tools.com](mailto:service.kr@walter-tools.com)

## Walter Tools India Pvt. Ltd.

Pune, India  
+91 (20) 3045 7300, [service.in@walter-tools.com](mailto:service.in@walter-tools.com)

## Walter (Thailand) Co., Ltd.

Bangkok, 10120, Thailand  
+66 2 687 0388, [service.th@walter-tools.com](mailto:service.th@walter-tools.com)

## Walter Malaysia Sdn. Bhd.

Selangor D.E., Malaysia  
+60 (3) 8023 7748, [service.my@walter-tools.com](mailto:service.my@walter-tools.com)

## Walter Japan K.K.

Nagoya, Japan  
+81 (52) 533 6135, [service.jp@walter-tools.com](mailto:service.jp@walter-tools.com)

## Walter USA, LLC

Waukesha WI, USA  
+1 800-945-5554, [service.us@walter-tools.com](mailto:service.us@walter-tools.com)

## Walter Canada

Mississauga, Canada  
[service.ca@walter-tools.com](mailto:service.ca@walter-tools.com)

---